

# ELPRO CEM-40, CEM-65

## CONTACTOR SETS WITH MECHANICAL AND ELECTRICAL INTERLOCKING



### DESCRIPTION

This set consists two contactors with a mechanical interlocking and two additional groups of contacts used for electrical interlocking.

The unit is controlled by AMF generator controllers or ATS controllers for switching load circuits between main and backup power feeds.

### FEATURES

- ✓ DIN rail mounting;
- ✓ 3 electric poles per contactor;
- ✓ 1-3 phase connection support;
- ✓ Includes mechanical interlocking;
- ✓ Additional NC and NO contact groups for electrical interlocking;
- ✓ Silver-faced switching contacts;
- ✓ Solenoid coil voltage: 230V 50Hz or 120V 60 Hz depending on a solenoid coil type.

### INPUTS AND OUTPUTS

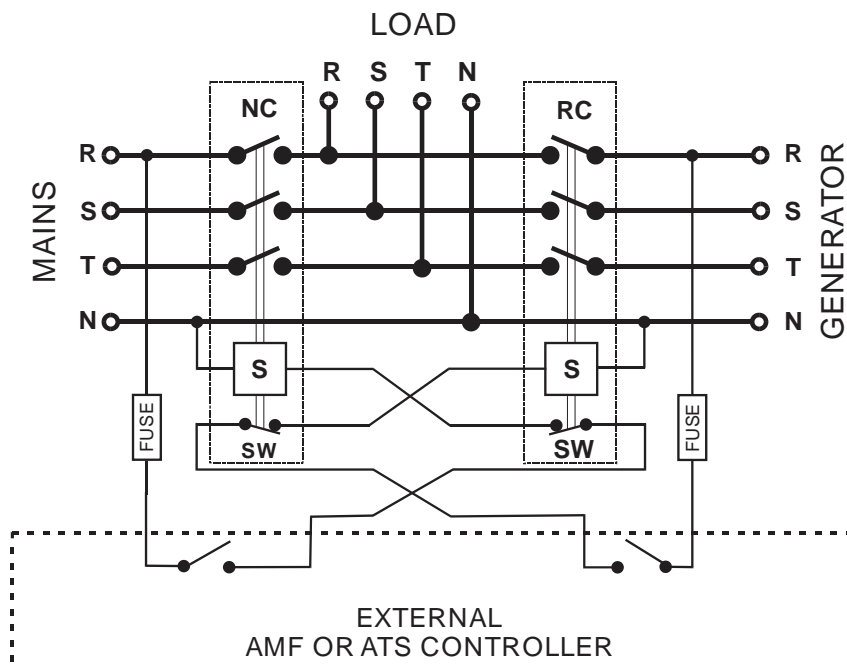
Each of contactors in the set has:

- R, S, T phase inputs and outputs;
- Activating solenoid coil inputs;
- Auxiliary normally open and normally closed contacts.

### TECHNICAL SPECIFICATIONS

Model name	CEM-40	CEM-65
IEC-60947 AC1 duty	60A	100A
AC3 duty	200-240V	11kW 40A
	380-440V	18.5kW 40A
UL Continuous current (th)	22kW 25A	37kW 47A
AC Motor, Single phase	115V	3HP, 50A
	230V	5HP
	200V	10HP
		230V
	460V	25HP
575V	25HP	
Aux contact	25HP	40HP
Dimensions (mm) (WxHxD)	130x80x95	180x125x120
Weight, kg	0.92	2.31

### CONNECTION DIAGRAMM



NC - mains contactor ;  
 RC - generator contactor ;  
 S - contactor solenoids ;  
 SW - electrical interlocking auxiliary contacts ( NC type)  
 R,S,T - phases ;  
 N - neutral ;  
 FUSE - protection fuses .