



**DV-0101 DIGITAL VOLTMETERS
DF-0101 DIGITAL FREQUENCY METERS
DVF-0101 / DVF-0103
VOLT-FREQUENCY METERS
72x72 & 96x48mm SIZES**

INTRODUCTION

These state-of-the-art panel meters are designed for accurate measurement of the AC RMS voltages and frequency in single-phase and three-phase systems. Although they are mainly used in electrical panels, these devices can also be integrated in many other applications.

Devices have separate inputs for supply and measurement with common neutral point.

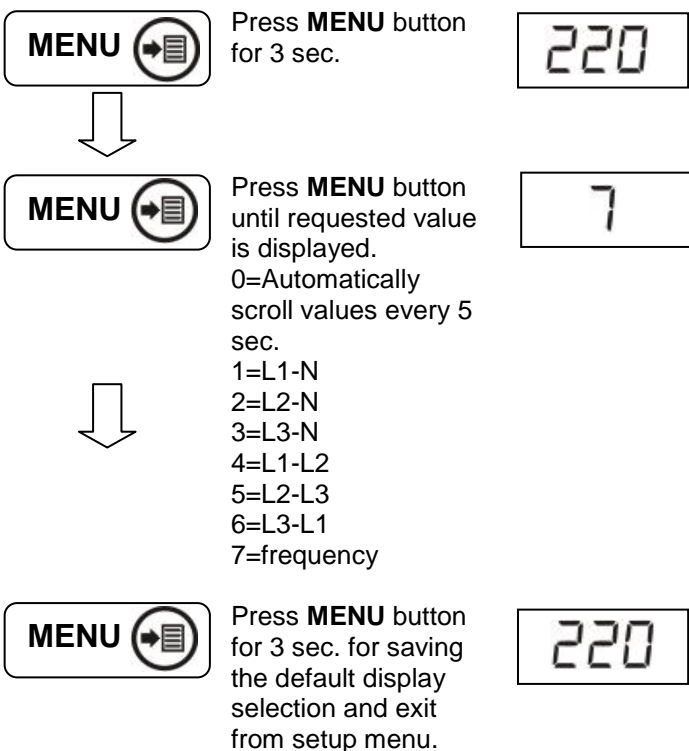
Changing Display Selection:

By using the **MENU**  button, L1-N, L2-N, L3-N, L1-L2, L2-L3, L3-L1 voltages and frequency can be selected and read from display. Every depression on the **MENU**  button will display the next measurement.

60 seconds after the last keypress, the display will return automatically to the default display mode. However the default display mode is selectable by programming.

SETTING THE DEFAULT DISPLAY SELECTION

Any measured parameter can be set as the default display. Automatic parameter scrolling is also provided. The selection is stored into a non-volatile memory and is not affected from power failures.



PRECAUTIONS FOR INSTALLATION AND SAFE USE



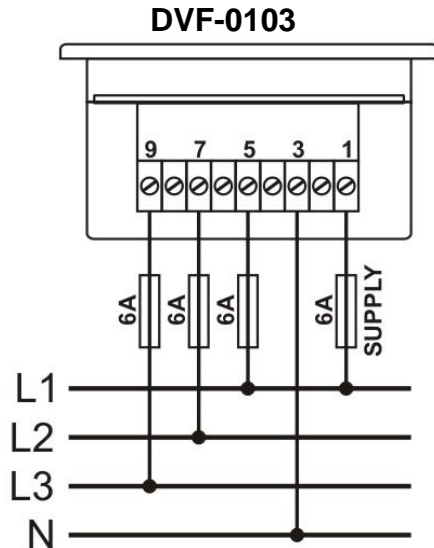
Failure to follow below instructions will result in death or serious injury

- Do not open the unit. There is no serviceable parts inside.
- Fuses must be connected to the power supply and phase voltage inputs, in close proximity of the unit.
- Fuses must be of fast type (FF) with a maximum rating of 6A.
- Disconnect all power before working on equipment .
- When the unit is connected to the network do not touch terminals.
- Do not try to clean the device with solvent or the like. Only clean with a dry cloth.
- Verify correct terminal connections before applying power.
- Electrical equipment should be serviced only by competent service personnel. No responsibility is assured by the manufacturer or any of its subsidiaries for any consequences arising out of the use of this material.
- Only for front panel flush mounting.

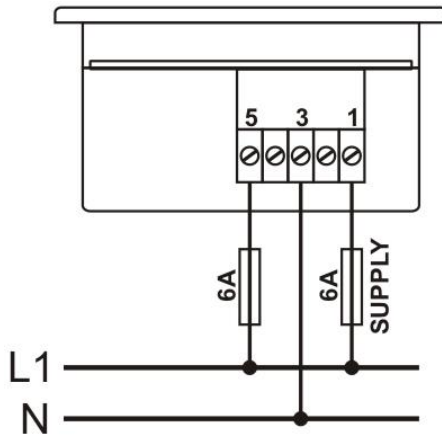
Before installation

- Read the user manual carefully, determine the correct connection diagram.
- Remove all connectors and mounting brackets from the unit, then pass the unit through the mounting opening.
- Put mounting brackets and tighten. Do not tighten too much, this can brake the enclosure.
- Make electrical connections with connectors removed from sockets, then place connectors to their sockets.
- Note that the power supply terminal is separated from measurement terminals, with common neutral point.

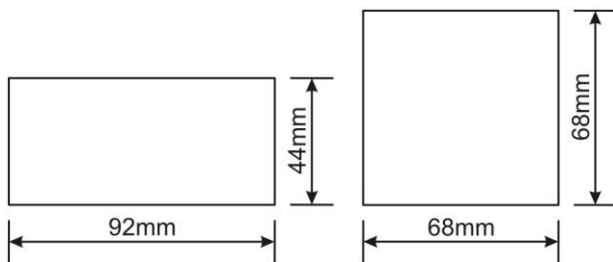
CONNECTION DIAGRAM



DV-0101 DF-0101 DVF-0101

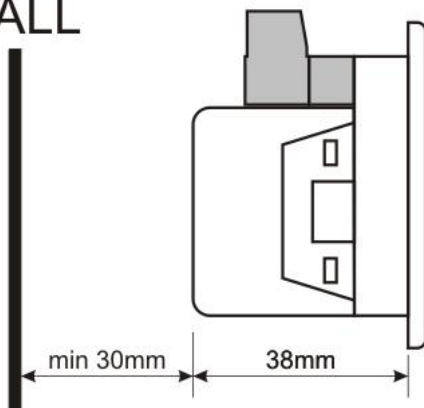


PANEL CUTOUT DIMENSIONS



MOUNTING TOLERANCES

WALL



TECHNICAL SPECIFICATIONS

Power Supply Input:

170 - 275VAC
50 - 60Hz nominal ($\pm 10\%$)
Different AC/DC supply values available.

Measurement Inputs:

10 - 300 V AC (Phase-Neutral)
20 - 520 V AC (Phase-Phase)
30 - 100 Hz

Accuracy: 0.5% + 1 digit

Power Consumption: < 1.5W

Burden: < 0.1VA per phase

Operating Temperature: -40°C to +70 °C

Maximum Humidity: 95% non-condensing.

Degree of Protection:

IP 54 (Front Panel)
IP 30 (Back panel)

Enclosure: Non-flammable, ROHS compliant, high temperature ABS/PC (UL94-V0)

Installation:

Flush mounting with rear retaining brackets

Dimensions:

96x48 models: 102x54x41mm (WxHxD)
72x72 models: 78x78x41mm (WxHxD)

Weight: 125 gr

EU Directives Conformity:

2006/95/EC (low voltage)
2004/108/EC (EMC)

Norms of reference:

EN 61010 (safety requirements)
EN 61326 (EMC requirements)

PACKAGING INFORMATION

Pieces per Package: 24 Pcs

Package Size: 280 x 170 x 215mm (LxWxH)

Package Weight: 3.2 kg

FACTORY SETTINGS

CHnL=0

